

# Data sheet eCLICK

Article no. i00021778

The eCLICK provides the docking station for the eBOX family. It can be installed on a wall or an ePOLE or ePOLE duo.

The eCLICK must be installed by a qualified electrician; once in place the eBOX charger can be installed or replaced by a user if required.

An eSMARTMETER can be integrated on request.

**UK  
CA****CE**

# Technical data

## General informationen

Product name	eCLICK
Compatible charging stations	eBOX product family
Package dimensions (W x D x H)	515 x 225 x 75 mm

## Mechanical details

Mounting type	Wall mounted, in ePOLEs and ePOLE duo
Dimensions (H x W x D)	400 x 155 x 60 mm
Weight	Approx. 1,1 kg

## Electrical data

Maximum charging output	22 kW
Nominal voltage, number of phases, nominal frequency	230 - 400 V; 1 - 3; 50 Hz
Maximum input current	32 A per phase, configurable
Protection class	1
Maximum cable cross-section	10 mm <sup>2</sup> (for base mounting in ePOLEs/ePOLE duo supply line only from below)

## Certification

Meter/German calibration law	Optional: MID-compliant smart meter (included in calibration-law compliant version)
Approvals	CE, UKCA

## Environmental conditions

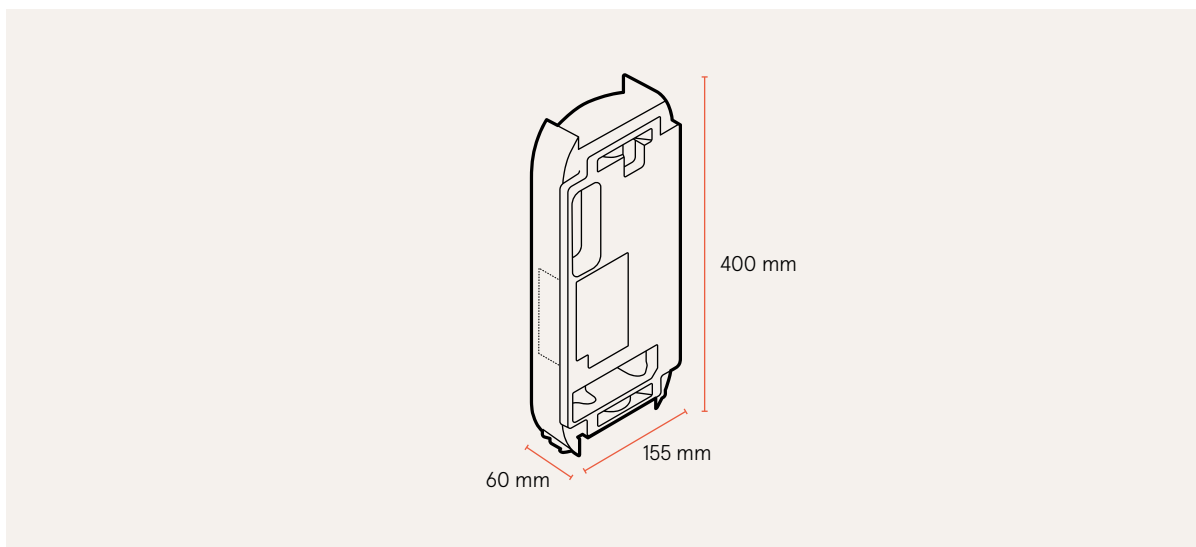
Storage temperature	-30 °C to +80 °C
Environmental operating temperature	-30 °C to +50 °C

## Recommended accessories

eSMARTMETER	i00021678	MID-compliant smart meter, not EKA-compatible
RCD type A	i00021394	F204 A-25/0.03 (ABB), rated current 25 A, 4 pole
RCD type A	i00021238	F204 A-40/0.03 (ABB), rated current 40 A, 4 pole
Circuit breaker	i00021251	S203-K20NA (ABB), rated current 20 A, 3 pole +N
Circuit breaker	i00021237	S203-K40NA (ABB), rated current 40 A, 3 pole +N

# Technical data

## Measurements



## Viewpoints





The power to move



Compleo Charging Solutions GmbH & Co. KG

Ezzestraße 8  
44379 Dortmund  
Germany

[info@compleo-cs.com](mailto:info@compleo-cs.com)  
[compleo-charging.com](http://compleo-charging.com)

©2024 Compleo. All rights reserved.

This document may not be copied or reproduced in any form or by any means, in whole or in part, without written permission. All illustrations in this document serve only as examples and may differ from the delivered product. All information in this document is subject to change without notice and does not represent a commitment on the part of the manufacturer.

Technical changes and errors excepted.